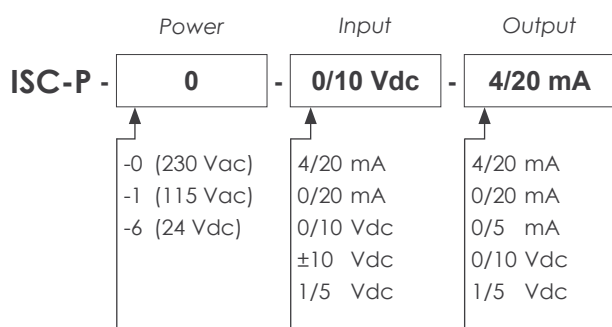


ISC-P Signal converter for process

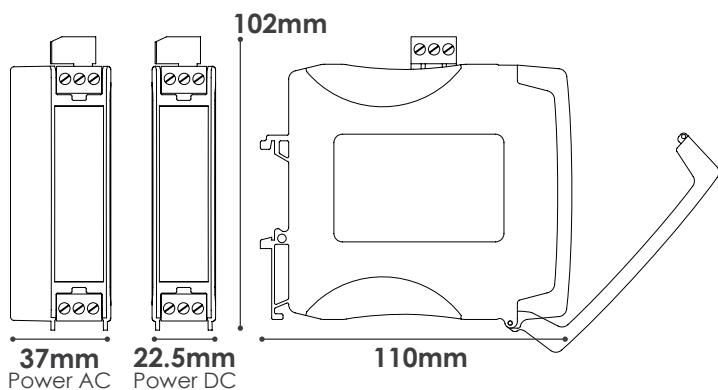
Signal converter for process signals, DIN rail mounting. Accepts input signal ranges in mA and Vdc (4/20mA, 0/10Vdc, 10/50mA, ...) and output ranges in 4/20mA or 0/10Vdc. Provides excitation voltage for the sensor. Power options in AC and DC. High isolation between input, output and power circuits.



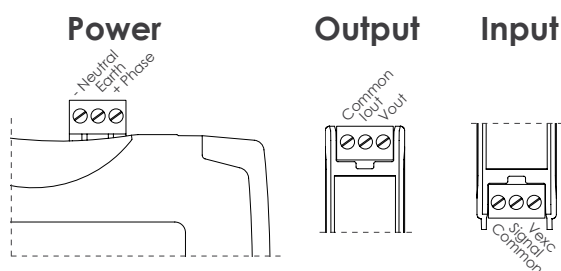
Order reference



Dimensions



Connections



Technical specifications

Input ranges*	Input impedance	Maximum oversignal
4/20 mA	50 Ohm	70 mA
0/20 mA	50 Ohm	70 mA
0/50 mA	20 Ohm	70 mA
10/50 mA	20 Ohm	70 mA
1/5 mA	20 Ohm	70 mA
0/5 mA	20 Ohm	70 mA
0/10 Vdc	5 MOhm	150 Vdc
0/1 Vdc	1 MOhm	15 Vdc

Output ranges*	Type	Load
4/20 mA	active	<400 Ohm
0/20 mA	active	<400 Ohm
0/10 Vdc	active	>1 K Ohm
0/1 Vdc	active	>1 K Ohm

* Intermediate input and output ranges are available, operating the Span and Offset potentiometers.

General

Accuracy	0.2% F.S.
Linearity	0.1% F.S.
Thermal drift	<200 ppm/°C
Response time	<70mSec. (0% to 90% signal)
Bandwidth	20Hz (-3dB)
Excitation voltage	+15Vdc (max. 22mA)

Power

Power	230Vac, 115Vac and 24Vdc
Consumption	<3.8VA

Isolation*

Input-output	3500Veff, optical
Power-input	3500Veff, galvanic
Power-output	3500Veff, galvanic (with AC power) 1000Veff, galvanic (with DC power)

* instrument isolated 3 ways, isolation tested during 60 sec.

Mechanical

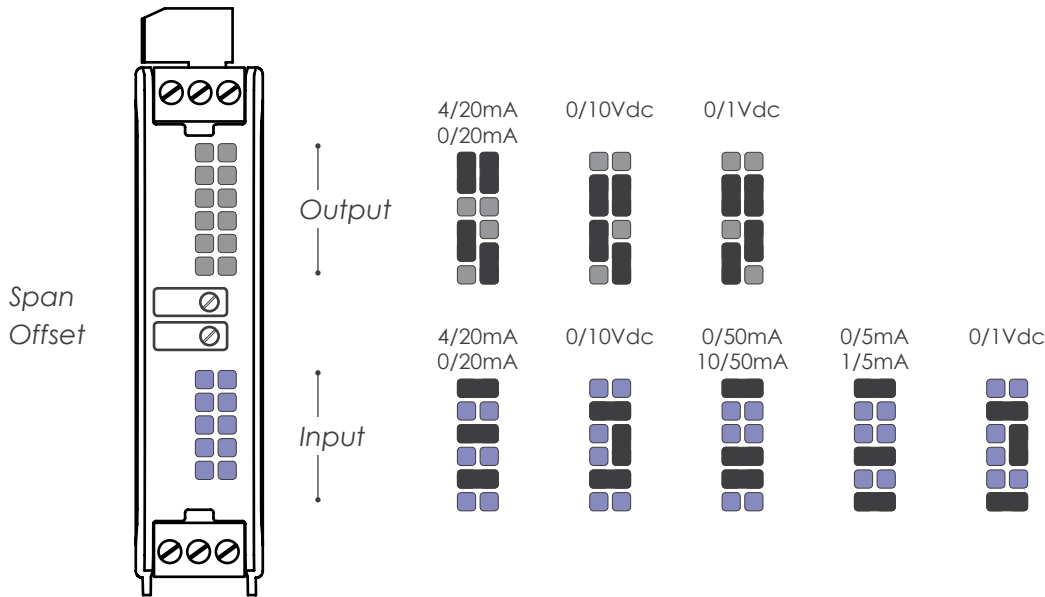
Mounting	DIN rail standard (35x7.5mm)
Connections	pug-in screw terminal
Weight	120 grams (with DC power) 200 grams (with AC power)
Housing material	polyamide PA6 UL94 V2
Protection	IP30

Information on web

User's Manual

www.fema.es/1193_ISC-P_i.pdf

Jumpers for range selection



Isolated signal converters Series ISC

	Model																
	ISC-LC	ISC-RES	ISC-HZ	ISC-POT	ISC-IDC	ISC-VDC	ISC-IAC	ISC-VAC	ISC-TS	ISC-TR	ISC-TE	ISC-IT	ISC-TK	ISC-TJ	ISC-PT100	ISC-P	
Signals accepted																	
Process																	•
Pt100 / RTD																•	
Thermocouple J																•	
Thermocouple K																	•
Thermocouple T																	•
Thermocouple E																	•
Thermocouple R																	•
Thermocouple S																	•
Voltages AC																	•
Currents AC																	•
Voltages DC																	•
Currents DC																	•
Potentiometers																	•
Frequency																	•
Resistances																	•
Load cells																	•

Meters for 4/20mA



Process panel meter
48x24mm - L35/A



Process panel meter
72x36mm - S40-P



Process panel meter
96x48mm - M40-P



Process meter
60mm digit - BDF-24



Process panel meter
100mm digit - BDF-44